

# BENTOSEAL®

## TROWEL-GRADE SODIUM BENTONITE SEALANT

### DESCRIPTION

BENTOSEAL is trowel-grade, sodium bentonite/butyl-rubber based sealant designed for a variety of surface preparation and waterproof detailing work with Volclay Panels, Swelltite and Voltex waterproofing membranes. Being bentonite based, BENTOSEAL swells upon contact with water to seal against water intrusion. With the consistency of thick grease, BENTOSEAL is easy to apply and bonds to most substrate materials.

### APPLICATIONS

BENTOSEAL is an below-grade waterproofing accessory product designed for the following uses:

- Fillet material at horizontal and vertical inside corners
- Flashing material around drains, mechanical and electrical penetrations, curbs and parapets
- Sealing material at waterproofing terminations
- Repair material for small concrete substrate surface defects prior to waterproofing membrane installation
- Trowel-grade waterproofing for extremely irregular substrate surfaces.

BENTOSEAL is formulated for use on structural concrete, masonry, wood and most metal surfaces. Do not use BENTOSEAL on extruded polystyrene (EPS) concrete forming systems. Use in applications with proper confinement only. Backfill soils should be compacted to a 85% Modified Proctor density. BENTOSEAL is not an expansion joint sealant.

### INSTALLATION

Apply BENTOSEAL at a 1/4" (6 mm) thickness unless otherwise noted on details or as directed by manufacturer. BENTOSEAL may be applied where ambient and surface temperatures are -4°C (25°F) or above. Store above 4°C (40°F) before application.

All surfaces to receive BENTOSEAL should be dry and free of dirt, dust, grease, rust, oil, curing agents or other contaminants. BENTOSEAL can be applied to structural concrete surfaces as soon as the forms are removed. Fine hair broom or equivalent finish provides best adhesion and minimizes waste. Apply just prior to waterproofing membrane installation. BENTOSEAL should not be left exposed for prolonged period prior to concrete or backfill placement.

Around penetrations, application should fill space between Volclay waterproofing membrane and the penetration. Fillet shall be a minimum 3/4" (19 mm) thick and be continuous around the penetration. Extend BENTOSEAL onto penetration 1-1/2" (36 mm) at a 3/16" (5 mm) thickness. With a hydrostatic head of 33' (10 m) or greater, double all of the above application rates.

### PACKAGING

BENTOSEAL is available in 3 gallon (11.3 liter) pails; 30 pails per pallet. Each pails weighs 36 lbs. (16.3 kg).

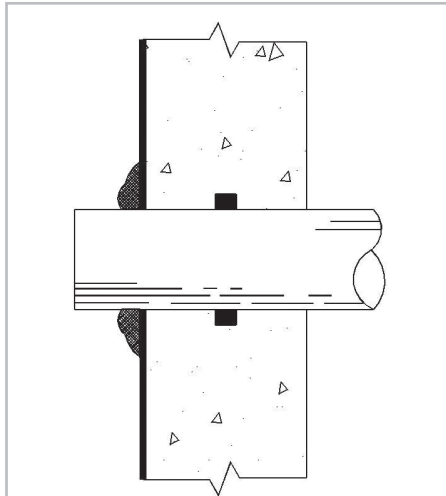
### SHIPPING, STORAGE AND CLEAN UP

Ship BENTOSEAL via ground trucking service. Do not ship BENTOSEAL via air freight. Refer to MSDS for additional shipping information. Keep cans sealed at all times when not in use. Store above 4°C (40°F), in a dry storage area away from heat and flames. Clean tools with damp rag before mastic has cured.

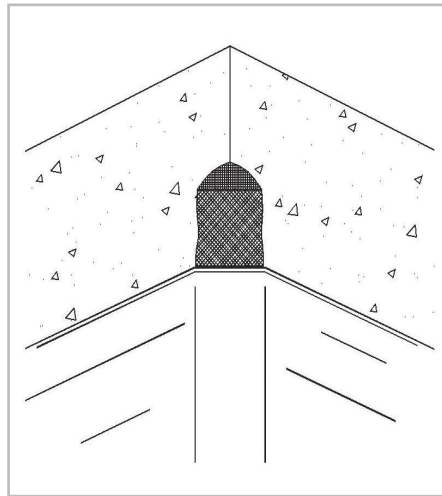
Workers should wear protective clothing and eye protection. Avoid eye and skin contact, particularly open cuts. In the event of contact with eye, wash immediately. Do not ingest. Refer to MSDS for other warnings and product safety information.

## BENTOSEAL® TROWEL-GRADE SODIUM BENTONITE SEALANT

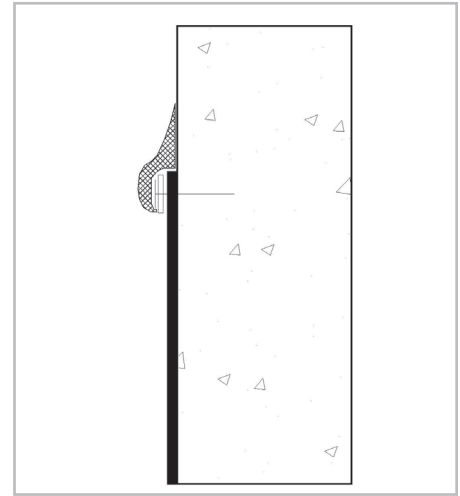
### APPLICATION ILLUSTRATIONS



PENETRATIONS



INSIDE CORNERS



GRADE TERMINATIONS

### APPROXIMATE COVERAGE RATE GUIDE

USAGE	TYPICAL COVERAGE
3/4" (19 mm) inside corner fillet	27 lin. ft./gallon (2.1 m/l)
As a 90-mil thick flashing material	15 sq. ft./gallon (0.37 sq. m/l)
3/4" (18 mm) inside corner fillet with 6" (150 mm), 90-mil (2.3 mm) thick extensions	9.5 lin. ft./gallon (0.76 m/l)

Product usage will vary as a result of site conditions and installation procedures. Actual usage rates will vary

North America: 847.851.1800 | 800.527.9948

UPDATED: JUNE 2015

© 2015 CETCO. IMPORTANT: The information contained herein supersedes all previous printed versions, and is believed to be accurate and reliable. For the most up-to-date information, please visit [www.CETCO.com](http://www.CETCO.com). CETCO accepts no responsibility for the results obtained through application of this product. All products are sold on the understanding that the user is solely responsible for determining their suitability for the intended use and for proper use and disposal of the product. CETCO MAKES NO WARRANTY OF MERCHANTABILITY OR SUITABILITY FOR ANY PARTICULAR PURPOSE IN CONNECTION WITH ANY SALE OF THE PRODUCTS DESCRIBED HEREIN. CETCO reserves the right to update information without notice.

